

## Product data sheet

### Characteristics

# ZBSP2

Harmony XB5, Protection cover, rigid plastic, transparent, for RJ45 and USB ports

Product availability : Stock - Normally stocked in distribution facility



### Main

Range of product	Harmony XB5
Sale per indivisible quantity	1

### Complementary

Panel Thickness with accessory	0.06...0.20 in (1.5...5 mm)
Product or component type	Rigid protection cover
Material	Plastic
Accessory / separate part category	Protection accessories
Product compatibility	Panel mounted RJ45 port XB5P Panel mounted USB port XB5P
IP degree of protection	IP65 conforming to IEC 60529 IP67 conforming to IEC 60529
Color	Transparent

### Ordering and shipping details

Category	00028 - DATA PORTS
Discount Schedule	CS2
GTIN	00785901655244
Nbr. of units in pkg.	1
Package weight(Lbs)	0.02 lb(US) (0.01 kg)
Returnability	Yes
Country of origin	DE

### Packing Units

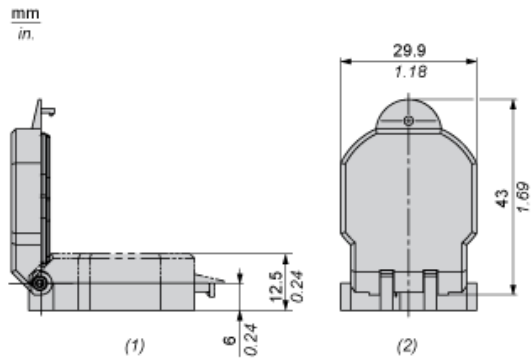
Package 1 Height	0.150 dm
Package 1 width	0.800 dm
Package 1 Length	1.300 dm

\* Price is "List Price" and may be subject to a trade discount – check with your local distributor or retailer for actual price.

## Offer Sustainability

California proposition 65	WARNING: This product can expose you to chemicals including: Lead and lead compounds, which is known to the State of California to cause cancer and birth defects or other reproductive harm. For more information go to <a href="http://www.P65Warnings.ca.gov">www.P65Warnings.ca.gov</a>
EU RoHS Directive	Pro-active compliance (Product out of EU RoHS legal scope) <a href="#">EU RoHS Declaration</a>
Mercury free	Yes
RoHS exemption information	<a href="#">Yes</a>
China RoHS Regulation	<a href="#">China RoHS declaration</a> Product out of China RoHS scope. Substance declaration for your information.

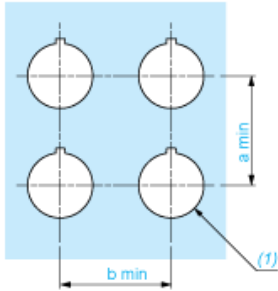
Dimensions



- (1) Side View - Open
- (2) Back View - Open

Panel Cut-out for Protective Cover (Finished Holes, Ready for Installation)

Connection by Screw Clamp Terminals or Plug-in Connectors



(1) Diameter on finished panel or support

Connections	a in mm	a in in.	b in mm	b in in.
By screw clamp terminals or plug-in connector	40	1.57	40	1.57